

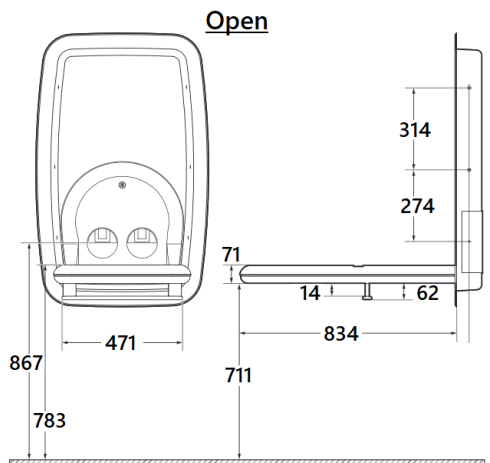
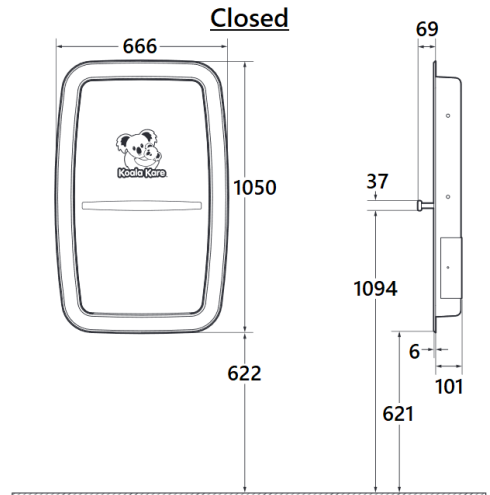


PROJECT		REF		REV	ITEM CODE	
LOCATION		DATE			PAGE	

SANITARY WARE SPECIFICATION SHEET

Item Descriptions	Koala Kare (USA) Vertical recessed mounted baby changing station
Dimensions	Refer to drawing
Model	KB311-SSRE
Finish / Material	Satin finished / 304 Stainless Steel
Manufacturer	Koala Kare (USA)
Supplier	Acme Sanitary Ware Co. Ltd Mr. Eric Wong/ Mr. Don Yuen
Contact Tel/Fax	(852) 2388-7171 / (852) 2710-8012
E-mail	acme@acmesanitary.com.hk
Website	www.acmesanitary.com.hk

Illustration/ Drawing



Material

Grey injection-molded polypropylene with Microban® antimicrobial additive embedded into the bed surface. Reinforced steel-on-steel hinge mechanism and plated or powder coated steel mounting chassis with mounting hardware included. Satin finished 304 stainless steel deep drawn outer shell and recessed pan. Machined aluminum handles with satin stainless steel finish. Solid stainless steel external bag hook. Labeled usage instructions and safety messages. Contoured changing surface area 535 sq. in (3452 sq. cm) and comes complete with safety strap. Dual cavity liner dispenser holds approximately 50 KB150-99 bed liners.

Operation

Concealed pneumatic cylinder and metal mounting chassis provides controlled, slow opening and closing of bed. Polypropylene is easy to clean and resists odors and bacterial growth. Complies with ASTM static load performance requirements when properly installed. Internal liner dispenser with integrated spring tab dispensed one liner at a time. Handle on front of unit requires less than 5 lbs. of force to open and close bed.

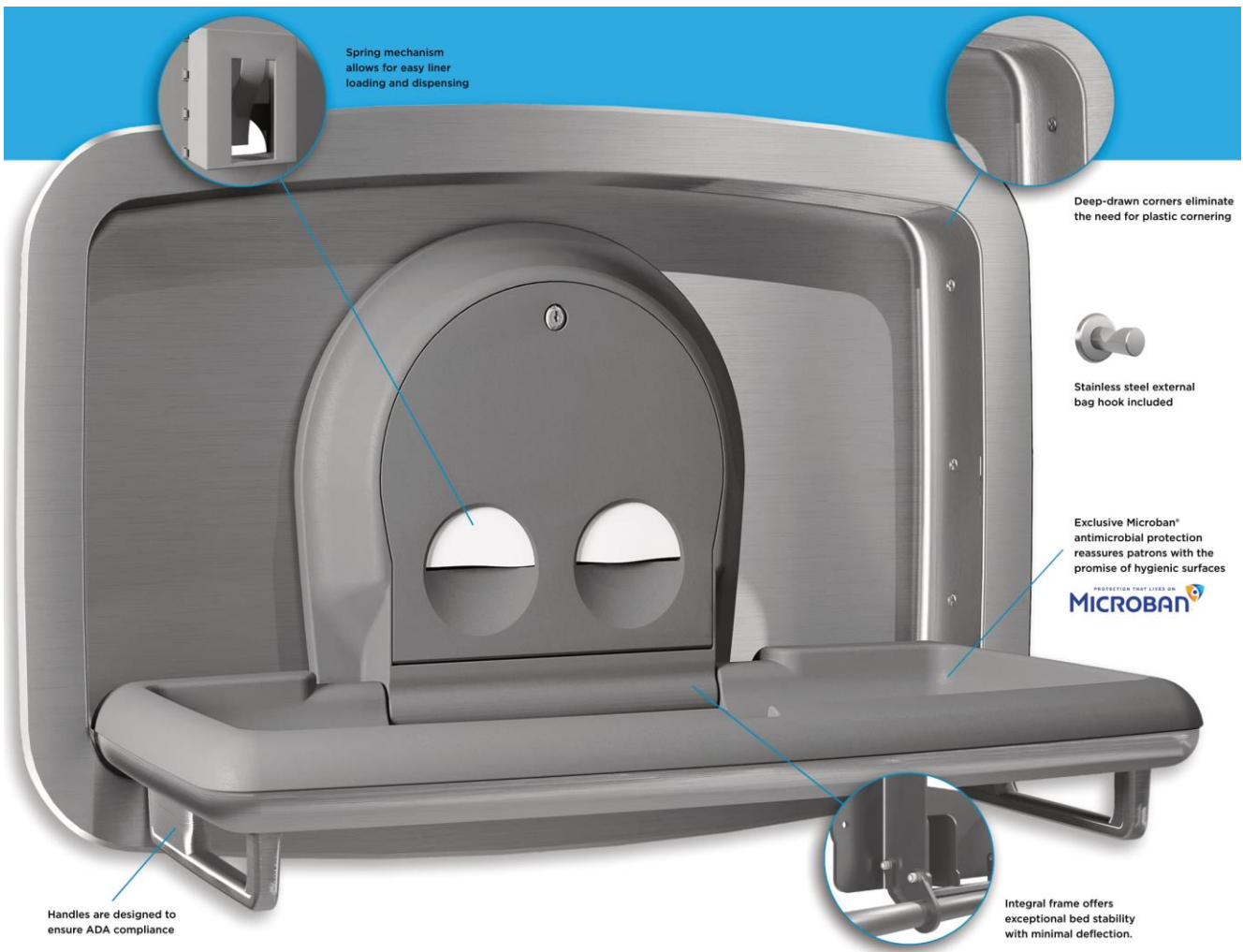
Warning: To ensure that the unit supports the intended loads, baby changing stations must be properly installed according to the manufacturer's instructions.

Specification

Baby changing station shall have durable, single piece deep drawn 304 satin finished stainless steel outer shell and recessed pan, with injection-molded polypropylene interior. Design of unit shall be recess-mounted. Unit shall be equipped with a pneumatic cylinder for controlled opening and closing of bed. Bed shall be secured to metal mounting chassis with a concealed steel-on-steel hinge. No hinge structure shall be exposed on interior or exterior surfaces. Unit shall have mounting hardware included. Unit shall have Microban® antimicrobial embedded into plastic material on the changing surface. Unit shall fully comply with ADA regulations when properly installed. Bed shall have smooth concave changing area with a safety strap and external stainless steel hook for bags or purse provided.

The design and manufacture of Koala products is intended to be compliant with the 2010 ADA Standards for Accessible Design and the 2009 ICC A117.1, Accessible and Usable Buildings and Facilities. Unit shall conform to ASTM F2285-04(16) Standard Safety Performance Specification for Diaper Changing Tables for Commercial Use, ANSI Z535.4 Product Safety Signs and Labels, EN 12221:2008+A1: 2013. Unit shall have a built-in Liner Dispenser for use with 3-ply chemical free biodegradable bed liners, instructional graphics and safety messages in 4 languages. Unit shall be manufactured in the U.S.A.

Note: [YouTube \(KB310/KB311 SSRE installation\) https://www.youtube.com/watch?v=TGECv8KjDnA&feature=youtu.be](https://www.youtube.com/watch?v=TGECv8KjDnA&feature=youtu.be)



We've Reinvented the Baby Changing Station — Again.

Koala Kare combined our decades-long commitment to compliance with our passion for accommodating families to create our newest baby changing stations. Thanks to direct input from architects and end-users, we've developed our most innovative products ever.

Exclusive Craftsmanship

The KB310/KB311 line represents Koala's investment in unparalleled craftsmanship. The one-piece, deep-drawn, uniform grain stainless steel components eliminate seams, sharp edges and weld lines, and provide a modern visual aesthetic.

Thoughtful patron amenities enhance the end-user experience, and include a redesigned liner dispenser and a convenient bag hook for safely storing a diaper bag off the floor.

KB310/311 Specifications

- Fully compliant with ADA requirements. Meets ASTM and EN Safety Standards.
- Front panel and flange are one-piece deep-drawn seamless stainless steel with satin finish.
- No plastic covering or visible plastic on the front of the unit and no adhesive labels applied to the front panel.

- Unit has minimal deflection from 90 degrees. Has been tested to support 300lbs (137kg).
- External bag hook is a solid stainless steel rod with satin finish.
- Dual-cavity liner dispenser has integral spring tab that dispenses one liner at a time. Equipped with tumbler lock, keyed alike for Bobrick restroom accessories.

- Bed surface manufactured with Microban® antimicrobial product protection and the efficacy of additives has been confirmed by ISO 22196 testing.

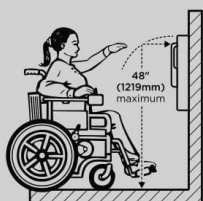
Product Dimensions

- Rough wall opening:
KB310-SSRE Horizontal: 37 1/16" x 21 5/8" (941mm x 549mm)
KB311-SSRE Vertical: 21 1/2" x 36 3/4" (546mm x 934mm)

Please note: This product is designed for infants only, up to 3.5 years of age and weighing less than 50 lbs (23kg).

Compliance

The new units have been designed to meet a comprehensive range of global accessibility requirements



Forward Reach

When closed, the handles are below 48" (1219mm) and guide patrons to operate the unit with less than 5lbs of force. The internal liner dispenser will be below 44" (1117mm).

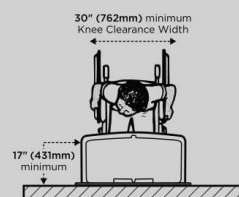
ADAS/TAS/ICC 2009/2017 308.2.1



Protruding Objects

Both the leading edge of the surface mounted unit and the handles on the horizontal unit, when open, fall below 27" (685mm), allowing for cane detection. The recessed unit when closed does not protrude more than 4" (101mm).

ADAS/TAS/ICC 2009/2017 307.2



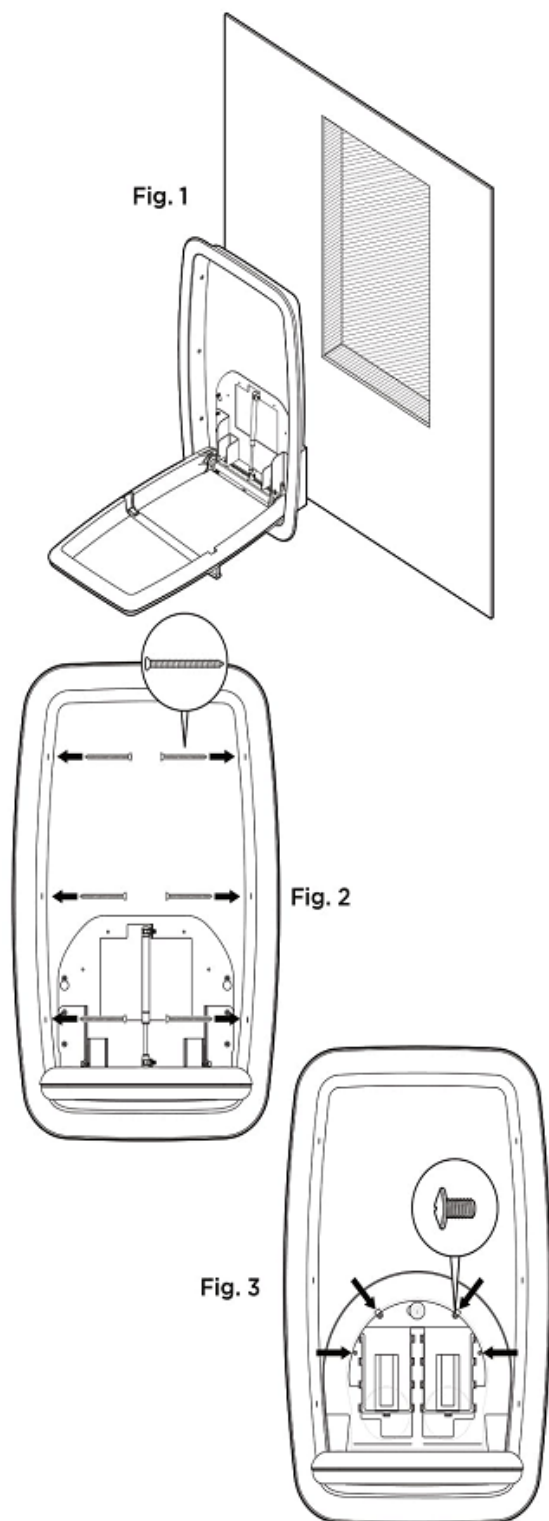
Knee and Toe Clearance

For wheelchair access, the space between the handles provides more than 30" (762mm) of width and the under side of the unit is over 27" (685mm) above the finished floor. The open unit provides more than 17" (431mm) of depth for toe clearance.

ADAS/TAS/ICC 2009/2017 306



KB311-SSRE Installation Instructions



*Diagrams are not to scale.

Step 1:

- Prepare the rough wall opening per the Technical Data sheet. **Fig. 1** For more information navigate to www.koalabear.com.
- Be sure to wear safety gloves to protect your hands from the products exposed metal edge.

Step 2:

- Remove the handle and bag hook from the packaging and set to one side.
- Open the unit by pulling up on the handle mounting studs and remove the plastic liner dispenser from inside the unit and set to one side.

Step 3:

- With the assistance of a second person, lift and position the unit into the rough wall opening.
- Have one person hold the unit and place into the wall while the other opens the unit using the handle mounting studs.

Step 4:

- Open unit fully and you will have access to the six mounting holes on either side of the unit. **Fig. 2**
- Using the hardware provided, predrill and screw through the mounting holes. **Do not over tighten.**
- Once secured, the unit will no longer need to be held in place.

Step 5:

- With the unit open, take the liner dispenser and position it over the exposed metal frame in the center of the recess.
- Use the provided key to open the liner dispenser. This will provide access to the four mounting holes.
- Use the provided hardware to secure the liner dispenser to the metal frame. **Fig. 3**
- Lock the liner dispenser and close the unit.



KB311-SSRE

Installation Instructions

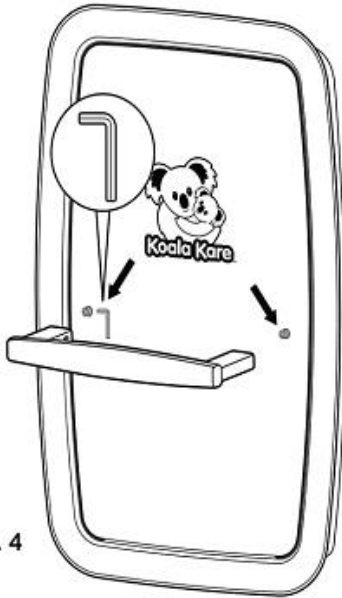


Fig. 4

Step 6:

- Take the provided handle and position it over the handle mounting studs.
- Use provided Allen wrench to tighten the set screws in the handle, securing it to the handle mounting studs. **Fig. 4**

Step 7:

- Test the unit by opening and closing multiple times, ensuring it opens and closes smoothly.
- Remove protective film from the surface of the unit.

Step 8:

- To install the bag hook, measure up 44" from finished floor in the desired location and mark the wall. **Fig. 5**
- Position the bag hook on the wall so that the top of the mounting plate is level with the 44" mark.
- Position the bag hook over a wall stud for optimal strength.
- Mark then predrill the mounting holes.
- Use the provided screws to secure the bag hook in position, then take the escutcheon plate and screw it over the mounting plate to cover the mounting screws. **Fig. 6**

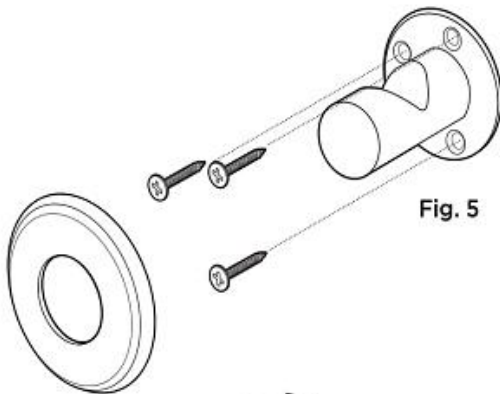


Fig. 5

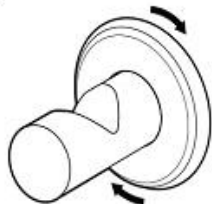


Fig. 6